



THS13 Temperature & Humidity Transmitter



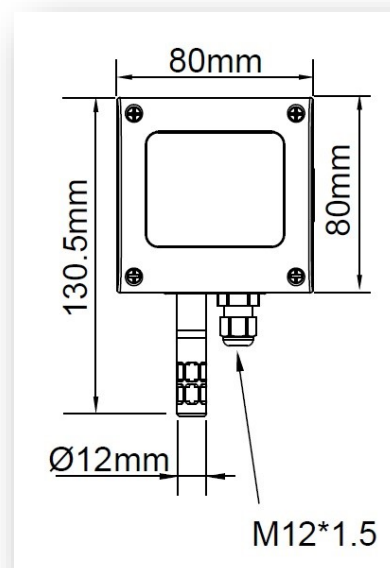
Applications:

The THS13 Temperature & Humidity Transmitter for indoor use is a wall-mount transmitter with high accuracy and long-term stability. Ideal for indoor environmental monitoring as in the case of HVAC processes, air conditioning, ventilation control and more.

- Factories, Clean Rooms, Laboratories, Cold Rooms, Warehouses, Store Rooms
- Agriculture and Food Industries
- Monitoring for HVAC Process
- Ventilation Control
- Laboratories

Features:

- Compact design
- Indoor wall-mount
- Temperature and Humidity output
- High C/P ratio
- High tech sensor component with high accuracy
- Long-term stability





Specifications:

| Input | | Environment | |
|---|---|-----------------------|-----------------------------|
| Input Type | Capacitive Humidity Sensor & PT 1000 Ω | Media Measured | Air |
| Measuring Range | 0~50°C (temp)/0~100% (humidity) | Media Temperature | 0~50°C |
| Recommended Working Range | 15~35°C (temp)/20~80% (humidity) | Storage Temperature | -25~60°C |
| Output | | Electrical | |
| Output | 4 ~ 20mA/0 ~ 10V | Power Supply | 2-wire: 11~35VDC |
| Signal Connection | 2-wire/3-wire | | 3-wire: 15~35VDC & 19~29VAC |
| Accuracy | | Current Consumption | 2-wire: DC 41mA |
| Temperature | ±0.3°C + 0.002°C x t actual | | 3-wire: DC 56mA/AC 150mA |
| Humidity | ±3% RH (20~80%) | Electrical connection | 2-wire: 3P Connection |
| Temperature Influence | 0.2% RH/°C | | 3-wire: 4P Connection |
| Load Resistance | 2-wire Current: <(V-10)/0.02<500Ω | Material | |
| | 3-wire Current: <200Ω/3-wire voltage>10KΩ | Housing | PC Fire-proof class |
| Output Calibration (ZERO & SPAN) Adjustment Range | 10% of zero-point and full-range | Weight | 132g |
| Response time t90 (at 25°C) | <20s | | |