



- %RH using wet & dry bulb temperature
- Max, Min functions for % RH
- Dew point temperature
- Two inputs for T_{DRY} & T_{NET}
- Input type : 4~20 mA/RTD
- 2 / 4 setpoints for %RH / T_{DRY} / T_{WET} / T_{DEW} / T_{DIFF} / Water alarm / Sensor fail
- Isolated 2 x 0/4~20 mA or 0~10 V DC retransmission outputs corresponding to %RH / T_{DRY} / T_{WET} / T_{DEW} / T_{DIFF}
- Water alarm annunciator
- 24 V DC transmitter supply
- RS485 / MODBUS RTU
- 85~265 V AC or 20~35 V DC supply

SPECIFICATIONS

All specifications at ambient of 25 °C, unless specified otherwise

INPUTS

No. of inputs 2 (T_{DRY}, T_{WET})
Transmitter supply 22 V nominal, 30 mA max
Range limits % RH : 0 ~ 100 % RH
 T_{DRY}, T_{WET} : -20 ~ 100 °C
Accuracy Instrument only : ±0.5% RH
 Instrument with class 'A' Pt100 RTD : ±2% RH

INDICATION

Upper display 4 digit, 7 segment 0.56" (14.2 mm) red LED display
Parameters a) % RH corresponding to wet & dry bulb temperature
 b) Peak (maximum value of %RH after power on)
 c) Valley (minimum value of %RH after power on)
Middle display 4 digit, 7 segment 0.39" (9.9 mm) green LED display
Parameters a) Dry bulb temperature
 b) Setpoint 1
Lower display 4 digit, 7 segment 0.39" (9.9 mm) green LED display
Parameters a) Wet bulb temperature
 b) Dew point temperature
 c) Difference between dry & wet bulb temperature
LED indicators Relay status
 Temperature unit indication
 Upper / Middle / Lower row parameter indication
 Communication

OUTPUTS

No. of relays 2 / 4
Relay contact type NO-C-NC
Relay contact rating 5A / 230V AC, resistive
SSR drive 12 V DC drive signal for external SSR
No. of analog outputs 0 / 1 / 2 (current or voltage)
Current output 4~20 mA / 0~20 mA / 20~4 mA / 20~0 mA isolated from input
Maximum load for current output 500 ohms
Voltage output 0~10 V / user specified
Load for voltage output >10 Kohms

COMMUNICATION

Port RS485
Protocol Modbus RTU
Slave ID User programmable (1~256)
Programmable
 Baud rate 2400 / 4800 / 7200 / 9600 / 19200 / 38400 / 57600 bps
 Parity None, Even, Odd
 Stop bit 1, 2
 Data format Integer, Integer x 10, Float, Swapped Float

SENSOR

Order code 2334-01
Cable length 5 metres

SPECIFICATIONS All specifications at ambient of 25 °C, unless specified otherwise

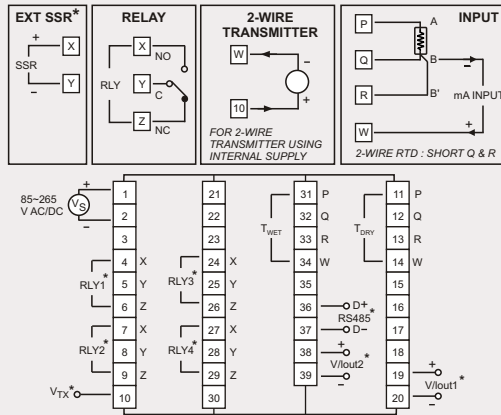
PROGRAMMABLE PARAMETERS

Input type	4 ~ 20 mA / RTD
Unit	°C / °F for T _{DRY} , T _{WET}
High scale / Setpoint.high limit	Full range
Low scale / Setpoint low limit	Full range
Digital Filter	Off / A to E
Resolution for % RH	1 / 0.1
Resolution for T_{DRY}, T_{WET}	1 / 0.1
Bias for %RH, T_{DRY} & T_{WET}	-10.0 ~ 10.0
Water alarm annunciator	Enable / Disable
Relay / analog output assignment	%RH / T _{DRY} / T _{WET} / T _{DEW} / T _{DIFF} / Water alarm / Sensor fail
Setpoints	Upto setpoint limits
Hysteresis	0.1 to 99.9
Relay control logic	Onoff / Time Proportional mode
Relay mode	Humidify / Heat Dehumidify / Cool
Relay type	Full scale high alarm Full scale low alarm Deviation high alarm Deviation low alarm In band alarm Out band alarm
Alarm acknowledge	None / Latch / Hold / Latch + Hold
Relay action	Key used to reset relay in Latch mode
Setpoint lock	Reverse / Direct
Program lock	ON/OFF ON/OFF

OTHER

Programming	Through 3 tactile keys
Dimensions (in mm)	96(H) x 96(W) x 100(D)
Mounting	Panel mount
Panel cutout	92 x 92 mm
Supply voltage	a) 85~265 V AC, 50/60 Hz b) 20~35 V DC (optional)
Power consumption	4 watts maximum
Operating ambient temperature	0~50 °C
Relative humidity	Below 90%, non condensing

CONNECTION DIAGRAM



* - FACTORY OPTION

STK-523

ORDERING INFORMATION

- RHC301 will be supplied with the following standard specifications :

Input	2 x Pt100, 3-wire
-------	-------------------

- Sensor 2334-01 (with 5 metre cable) is included with the instrument

ORDER CODE

2256	A
------	---

A	Configuration		
	Relay	Analog output (4~20 mA)	RS485
01	2	2	0
02	4	0	0
03	4	2	0
04	4	0	1

Ordering Options

The following ordering options are available on request. Minimum order quantity and/or minimum order value may apply.

	Option	Details
1.	Input	2 x 4~20 mA (with Tx supply)
2.	Analog output	0~10 V DC
3.	Supply voltage	20~35 V DC
4.1	Sensor cable length	10, 15, 20 mtrs