

### Features & Ordering Code

#### Features

- 4 Digit LED display
- Accuracy: 0.25% and 1% F.S for option
- Range: Vacuum to 600Bar
- Can display Max and Min value
- Different pressure units selected by software
- Different thread size for option
- Output 4-20mA and 0-10V for option

#### Ordering Code

**PG801E** □ □ □ □ — **Accuracy:** A: 1% F.S B: 0.25% F.S  
**Alarm:** Blank: No alarm J1: 1 alarm J2: 2 alarm  
**Range:** Vacuum to 600Bar  
**Output:** Blank: No output 300: 4-20mA 210: 0-10V  
**Thread Size:** 1: Standard M20X1.5 2: G1/2 3: G1/4 & 1/4NPT  
**PG801C Series LED Display Digital Pressure Gauge**

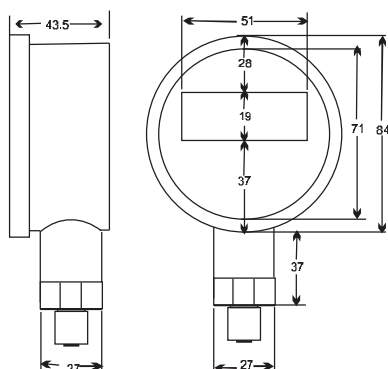
Example: PG801E3300-10Bar-J1-B: means the DPG is in 1/4 NPT or G1/4 thread size, with 4-20mA output, measuring range is 0-10Bar, 1 alarm and the accuracy is 0.25% F.S



### Technical Data & Sizes



#### Size



#### Technical Data

<b>Accuracy:</b>	Silicon 0.25% F.S Ceramics: 1%
<b>Power Supply:</b>	10-33VDC
<b>Pressure Range:</b>	Vacuum to 600Bar
<b>Housing:</b>	Stainless Steel
<b>Operating Temperature:</b>	-20 to 85 Degrees
<b>Store Temperature:</b>	-20 to 85 Degrees
<b>Temperature Shift:</b>	0.05% F.S per Degree
<b>Size:</b>	84mm dia
<b>Engineering Unit:</b>	Any unit for option when ordering
<b>Thread Size:</b>	M20X1.5, G1/2, 1/4 NPT and others
<b>Frontal Panel:</b>	Polycarbonate, OEM available
<b>Max Allowed Load:</b>	RL less than 600 Ohm
<b>Over Pressure:</b>	200% of the Pressure Range, Less than 1200Bar
<b>Burst Pressure:</b>	400% of the Pressure Range, Less than 1200Bar
<b>Output:</b>	4-20mA or 0-10V
<b>IP Rate:</b>	IP66
<b>Weight:</b>	Abt. 750G



38 Section Street, Paarden Eiland, CAPE TOWN, 7405 South Africa  
 P O Box 334, Paarden Eiland, 7420 (Cape Town South Africa)

Tel: +27 21 511 4104  
 Fax: +27 21 511 9866  
 Mobile: +27 83 651 3289  
 Fax-2-email : +27 86 677 8634